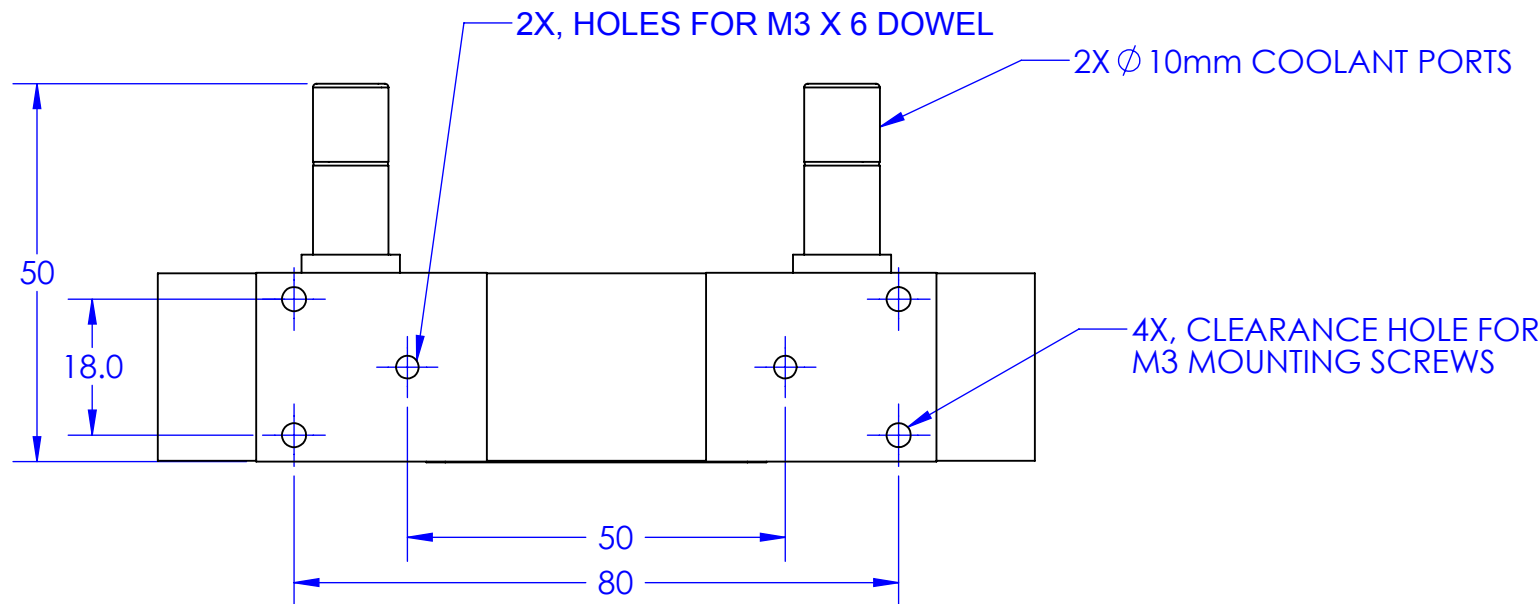
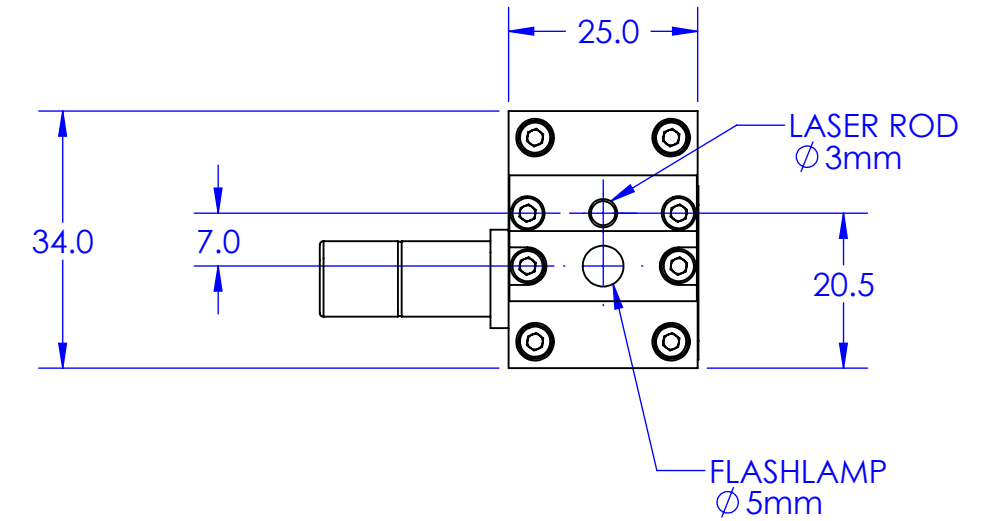
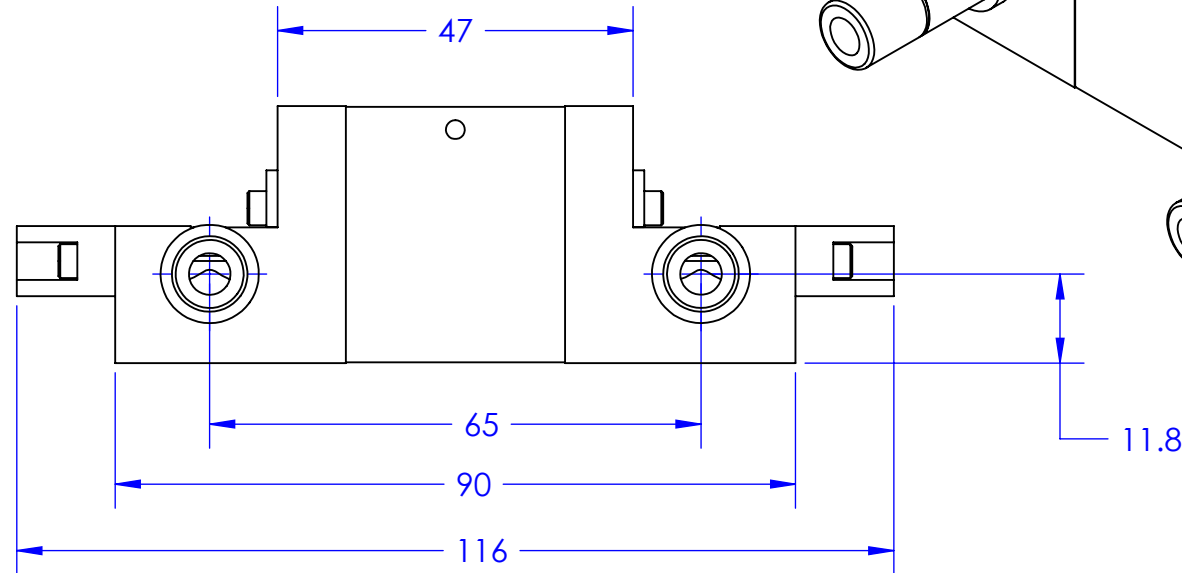
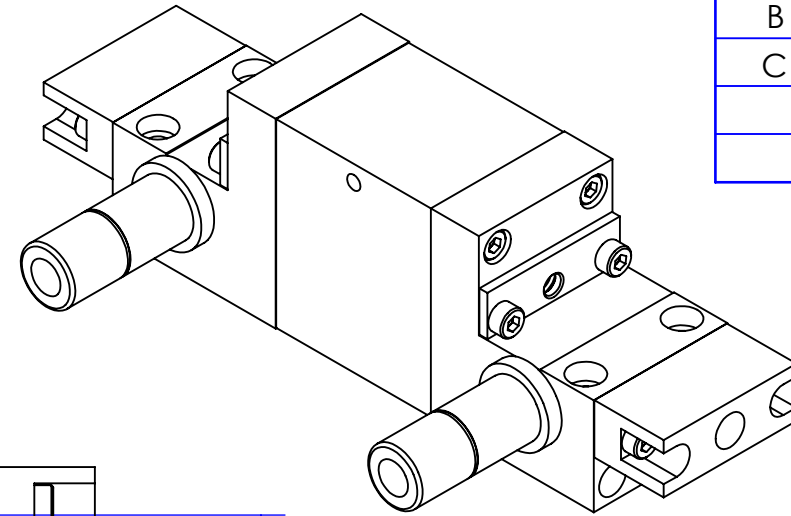


REV	DATE	DESCRIPTION
A	6/17/2011	ADDED COOLANT PORTS AND STANDARD DIMENSIONING
B	4/9/2013	UPDATED BODY AND ENDCAPS
C	9/30/2014	ADDED LASER ENGRAVING



NOTES:  
 1. ALL DIMENSIONS IN mm.  
 2. DO NOT SCALE DRAWING

NOTICE: This document contains proprietary and confidential information of MegaWatt Lasers. The contents shall not be disclosed, reproduced, duplicated, disseminated, or used for purposes other than authorized in writing by MegaWatt Lasers.

DRAWN BY JRE		<i>MegaWatt Lasers</i>											
		P. O. Box 24190 Hilton Head Island, SC 29925											
CHECKED SJH		<b>3X50 Interface</b>											
		APPROVED SJH		<table border="1"> <tr> <td>SIZE <b>C</b></td> <td>CAGE CODE <b>1HVC0</b></td> <td>DRAWING NO. 274</td> <td>REV C</td> </tr> <tr> <td colspan="2">SCALE NTS</td> <td>DATE 16-JUNE-2011</td> <td>SHEET 1 OF 2</td> </tr> </table>		SIZE <b>C</b>	CAGE CODE <b>1HVC0</b>	DRAWING NO. 274	REV C	SCALE NTS		DATE 16-JUNE-2011	SHEET 1 OF 2
SIZE <b>C</b>	CAGE CODE <b>1HVC0</b>			DRAWING NO. 274	REV C								
SCALE NTS		DATE 16-JUNE-2011	SHEET 1 OF 2										
<table border="1"> <tr> <td colspan="2"><b>TOLERANCES</b></td> </tr> <tr> <td>X.</td> <td>±0.5</td> </tr> <tr> <td>X.X</td> <td>±0.1</td> </tr> <tr> <td>X.XX</td> <td>±0.05</td> </tr> </table>		<b>TOLERANCES</b>		X.	±0.5	X.X	±0.1	X.XX	±0.05				
<b>TOLERANCES</b>													
X.	±0.5												
X.X	±0.1												
X.XX	±0.05												

4

3

2

1

REV	DATE	DESCRIPTION

A

A

B

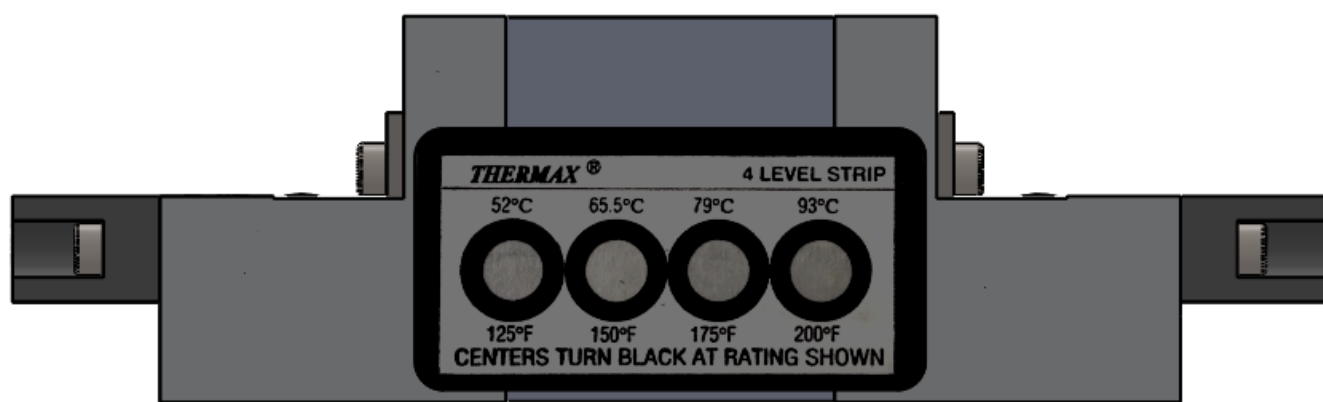
B

C

C

D

D



LASER ENGRAVED

NOTICE: This document contains proprietary and confidential information of MegaWatt Lasers. The contents shall not be disclosed, reproduced, duplicated, disseminated, or used for purposes other than authorized in writing by MegaWatt Lasers.

DRAWN BY JRE		<i>MegaWatt Lasers</i>					
		P. O. Box 24190 Hilton Head Island, SC 29925					
CHECKED SJH		<b>3X50 Interface</b>					
		TOLERANCES		SIZE	CAGE CODE	DRAWING NO.	REV
APPROVED SJH		X. ±0.5 X.X ±0.1 X.XX ±0.05		C	1HVC0	274	C
		SCALE NTS		DATE 16-JUNE-2011		SHEET 2 OF 2	

4

3

2

1