

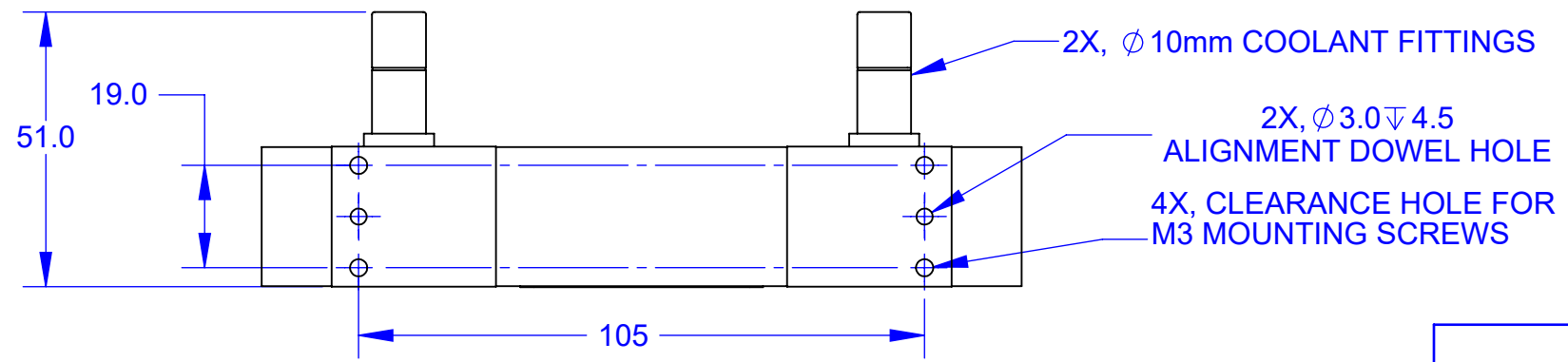
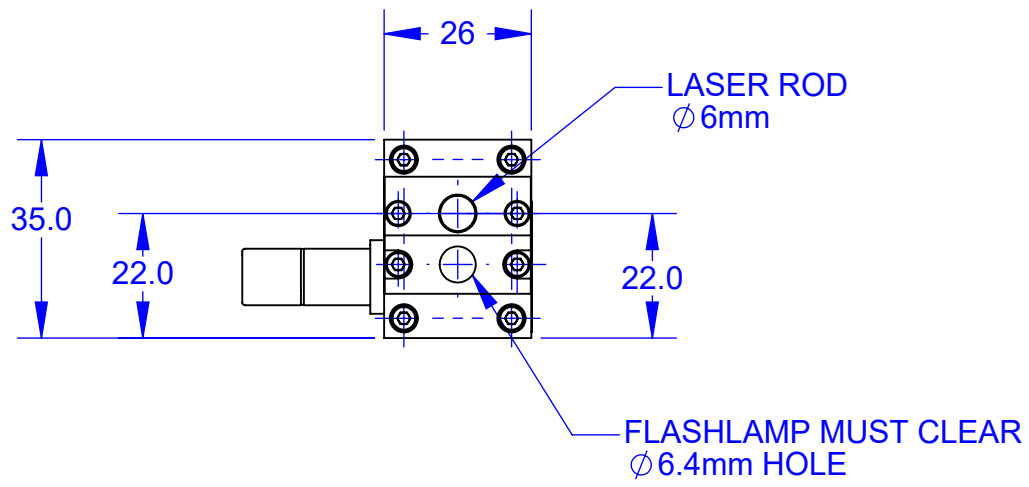
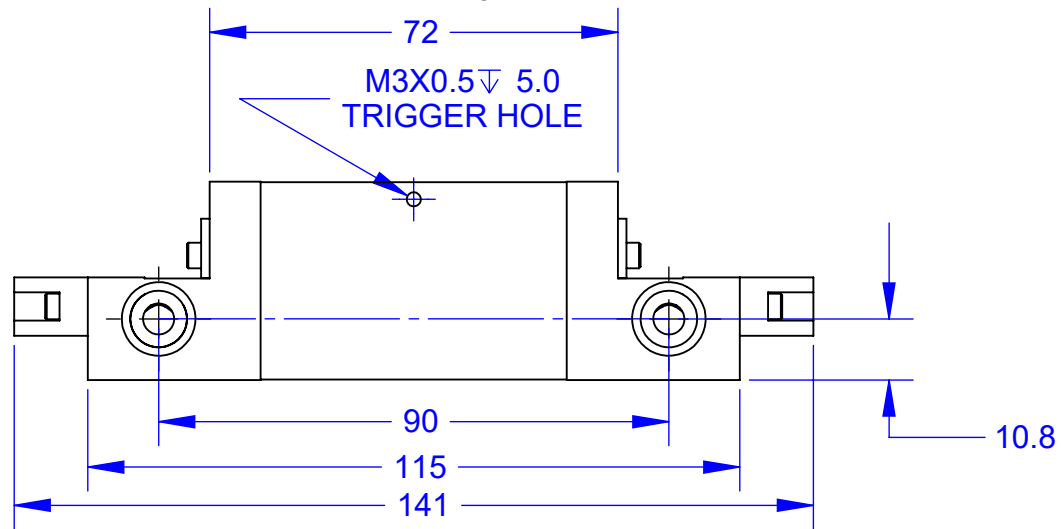
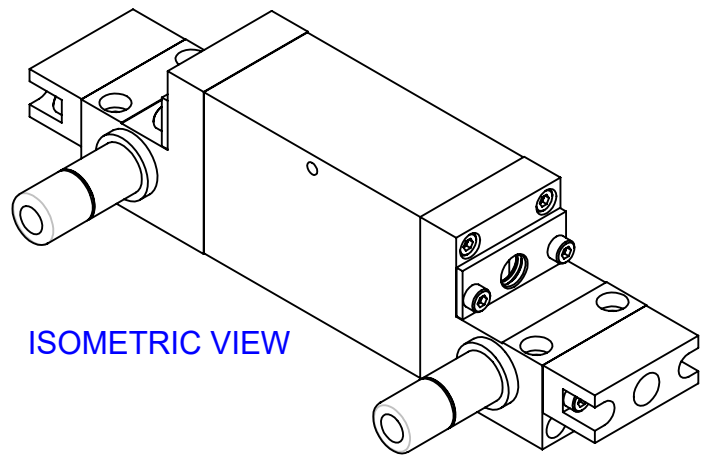
4

3

2

1

REV	DATE	DESCRIPTION
A	7/12/04	
B	5/15/08	CORRECT MOUNTING SCREW
C	11/2/2016	UPDATED ENDCAPS AND HOSE FITTINGS



NOTICE: This document contains proprietary and confidential information of MegaWatt Lasers. The contents shall not be disclosed, reproduced, duplicated, disseminated, or used for purposes other than authorized in writing by MegaWatt Lasers.

NOTES/SPECIFICATIONS:  
1. ALL DIMENSIONS IN mm.  
2. DO NOT SCALE THIS DRAWING.

		<i>MegaWatt Lasers</i>			
		P. O. Box 24190 Hilton Head Island, SC 29925			
		<b>6 X 75 PUMP CHAMBER INTERFACE DRAWING</b>			
DRAWN BY DCA		SIZE <b>B</b>	CAGE CODE <b>1HVC0</b>	DRAWING NO. 298	REV C
CHECKED MWA		TOLERANCES X. $\pm$ 0.5 X.X $\pm$ 0.1 X.XX $\pm$ 0.05		SCALE 3:4	DATE 15-MAY-08
APPROVED SJH				SHEET 1 OF 2	

4

3

2

1

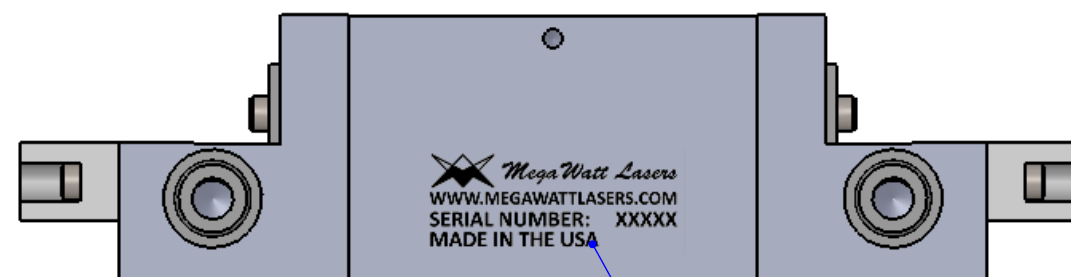
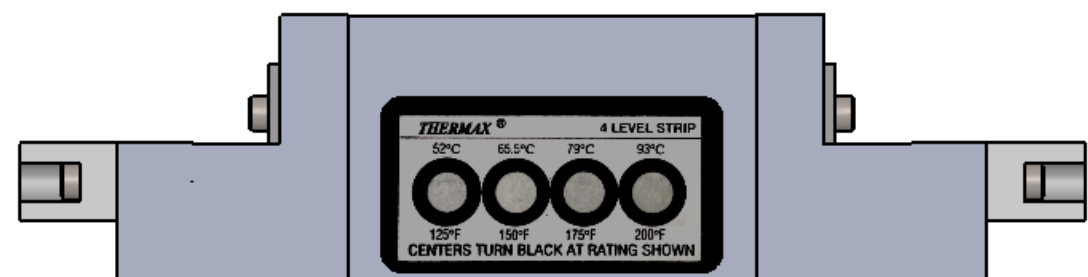
4

3

2

1

REV	DATE	DESCRIPTION



LASER ENGRAVED

NOTICE: This document contains proprietary and confidential information of MegaWatt Lasers. The contents shall not be disclosed, reproduced, duplicated, disseminated, or used for purposes other than authorized in writing by MegaWatt Lasers.

		<i>MegaWatt Lasers</i>		
		P. O. Box 24190 Hilton Head Island, SC 29925		
		<b>6 X 75 PUMP CHAMBER INTERFACE DRAWING</b>		
DRAWN BY DCA		SIZE <b>B</b>	CAGE CODE <b>1HVC0</b>	DRAWING NO. 298
CHECKED MWA		<u>TOLERANCES</u> X. ±0.5 X.X ±0.1 X.XX ±0.05		REV C
APPROVED SJH		SCALE 1:1	DATE 15-MAY-08	SHEET 2 OF 2

4

3

2

1

A

A

B

B

C

C

D

D