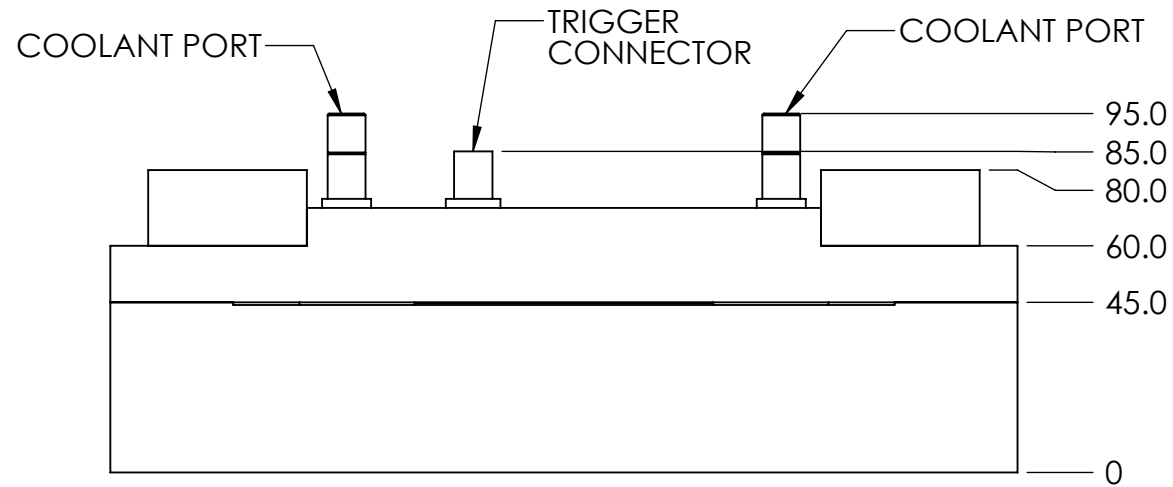
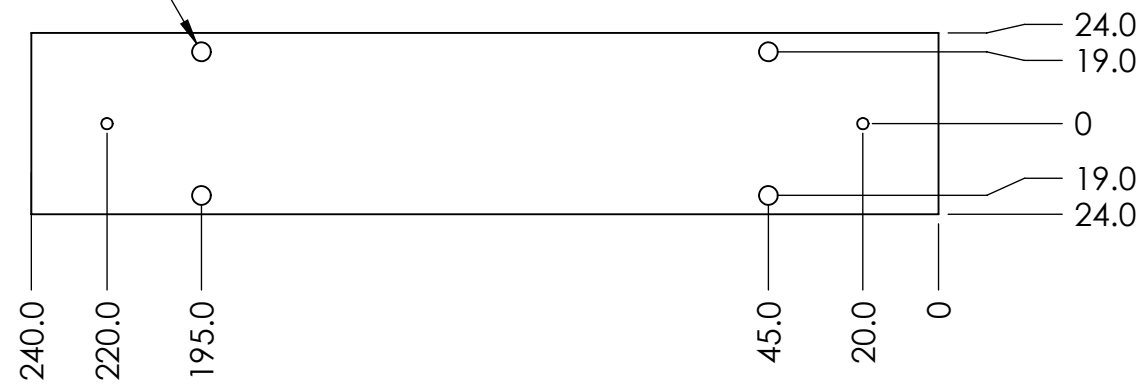
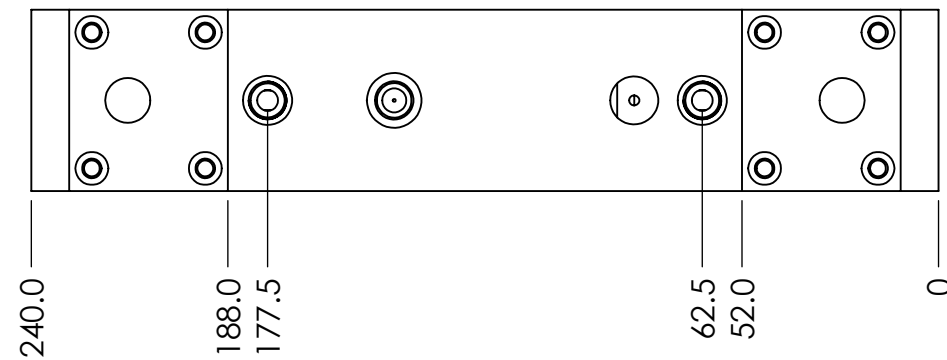
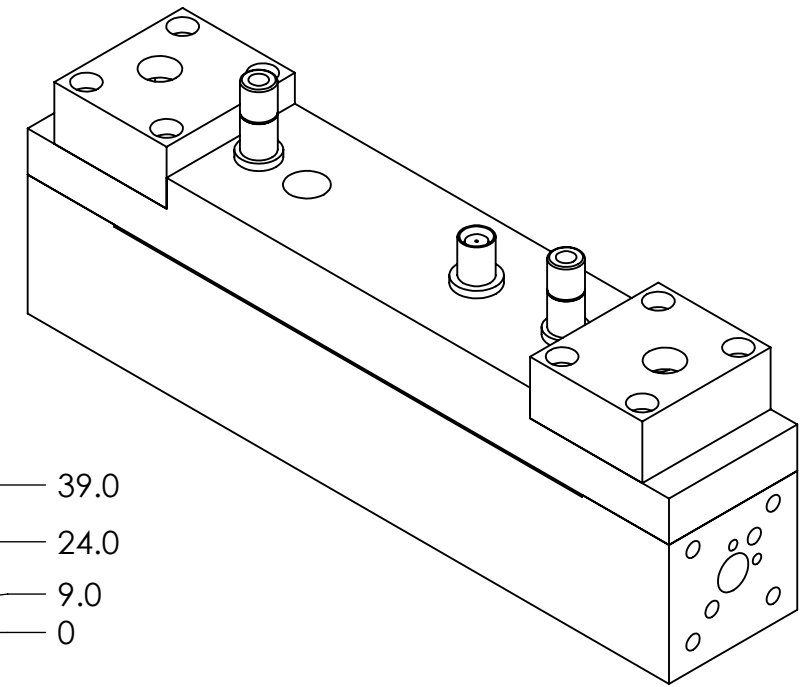
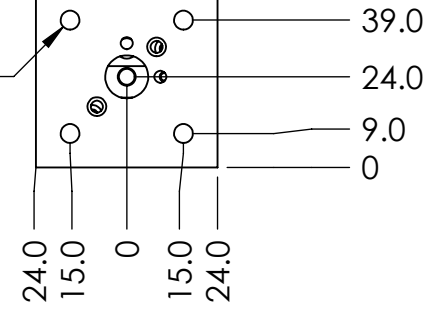


REV	DATE	DESCRIPTION

4X ϕ 5.0 ∇ 6.0
M6X1.0 - 6H ∇ 6.0



4X ϕ 5.0 ∇ 8.0
M6X1.0 - 6H ∇ 6.0



NOTES:
1. ALL DIMENSIONS IN mm.

NOTICE: This document contains proprietary and confidential information of MegaWatt Lasers. The contents shall not be disclosed, reproduced, duplicated, disseminated, or used for purposes other than authorized in writing by MegaWatt Lasers.

DRAWN BY		<i>MegaWatt Lasers</i>			
		P. O. Box 24190 Hilton Head Island, SC 29925			
CHECKED		R4X100C2 INTERFACE DRAWING			
		SIZE C	CAGE CODE 1HVC0	DRAWING NO. 152	REV OR
APPROVED		TOLERANCES		DATE	
		X. \pm 0.5 X.X \pm 0.1 X.XX \pm 0.05		FEBRUARY 9, 2011	
SCALE NTS		SHEET		1 OF 1	
		DATE		SHEET	