

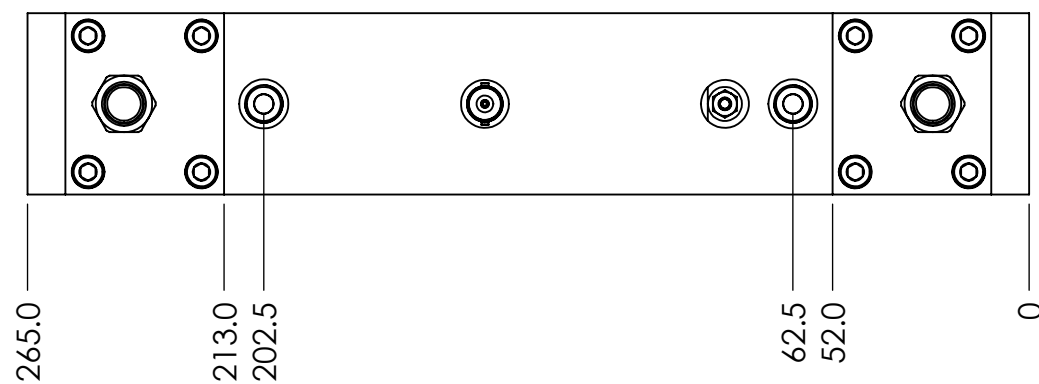
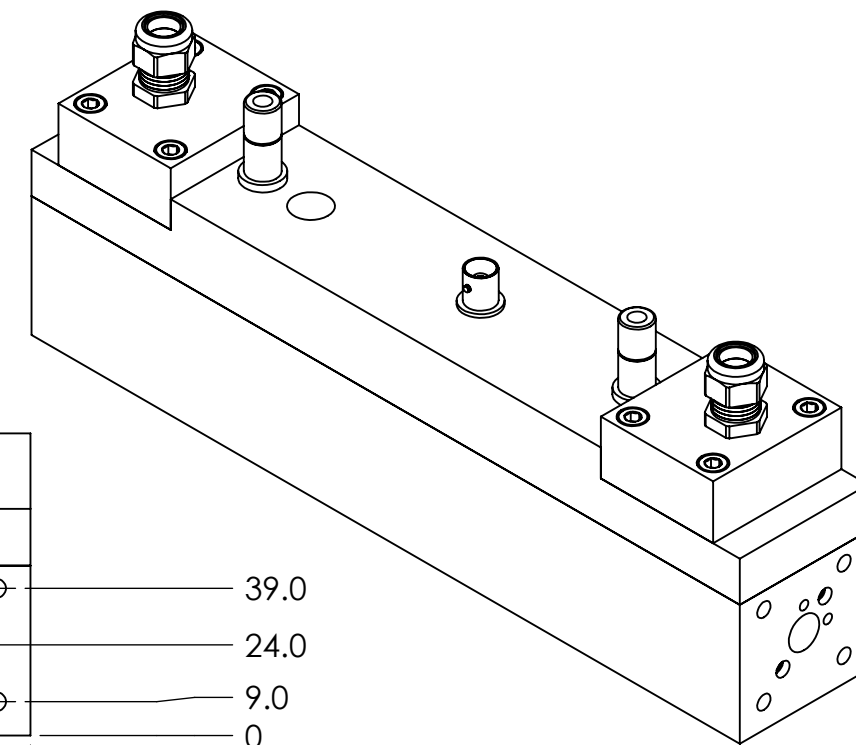
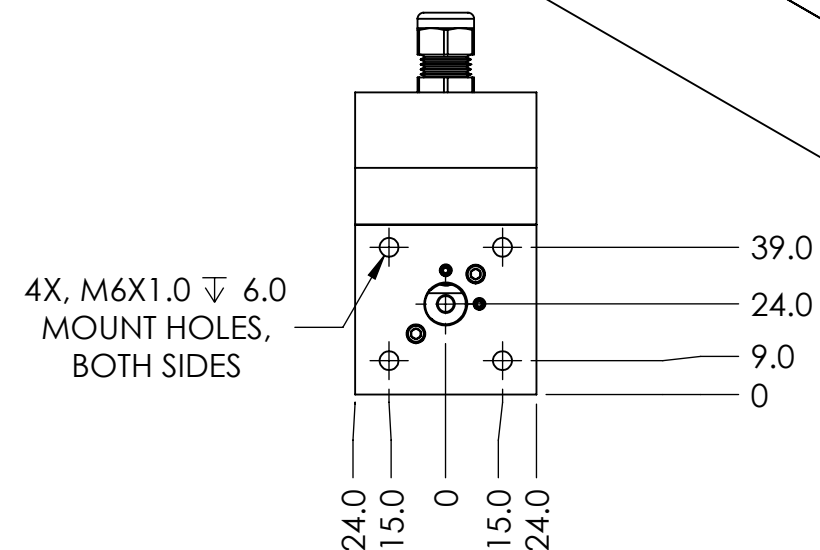
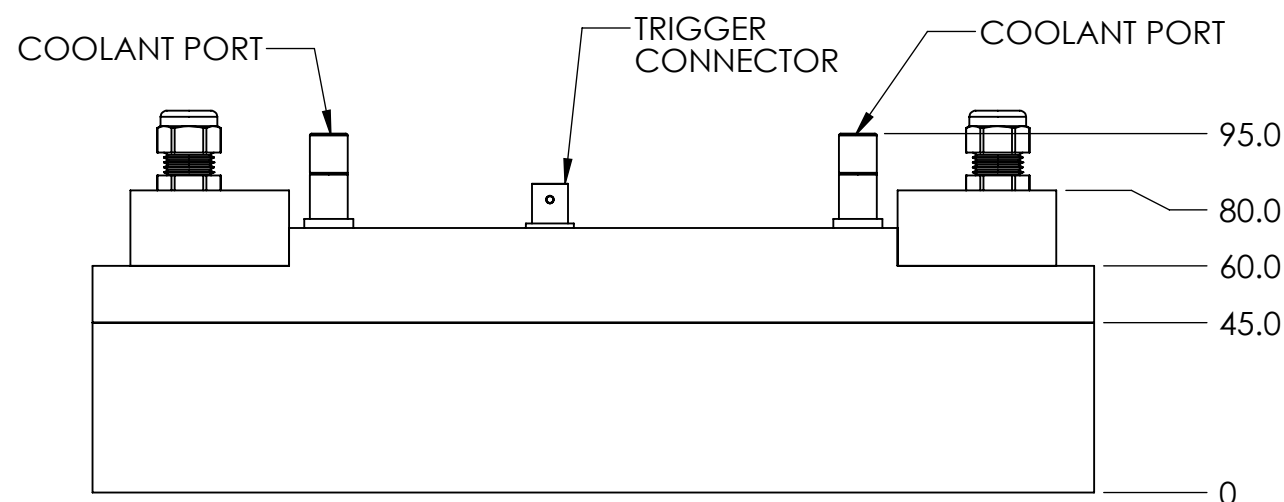
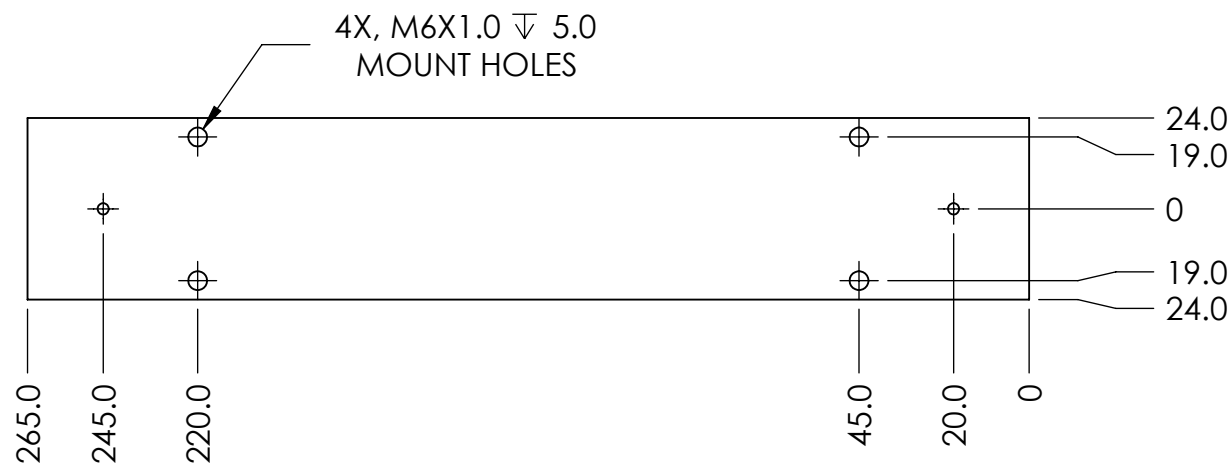
4

3

2

1

REV	DATE	DESCRIPTION



NOTES:
1. ALL DIMENSIONS IN mm.

NOTICE: This document contains proprietary and confidential information of MegaWatt Lasers. The contents shall not be disclosed, reproduced, duplicated, disseminated, or used for purposes other than authorized in writing by MegaWatt Lasers.

DRAWN BY JRE		<i>MegaWatt Lasers</i>			
		P. O. Box 24190 Hilton Head Island, SC 29925			
CHECKED		R4X125C2 INTERFACE DRAWING			
		SIZE C	CAGE CODE 1HVC0	DRAWING NO. 147	REV B
APPROVED		TOLERANCES		SCALE NTS	SHEET 1 OF 3
		X. ±0.5 X.X ±0.1 X.XX ±0.05	DATE 1-FEBRUARY-2011		

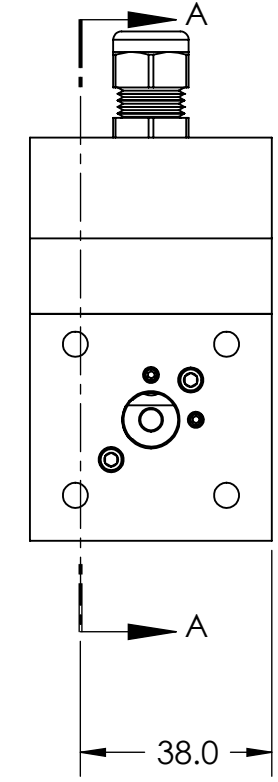
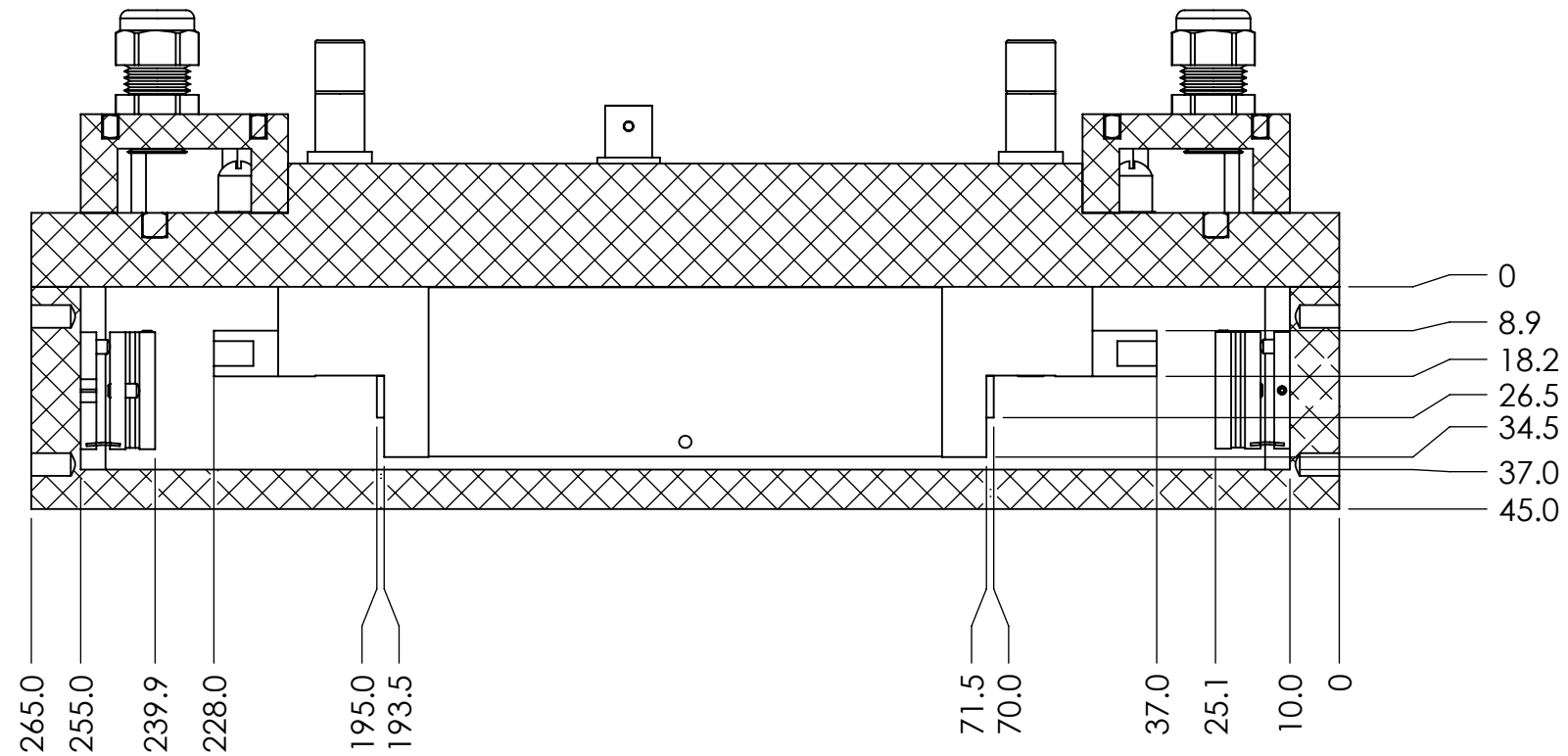
4

3

2

1

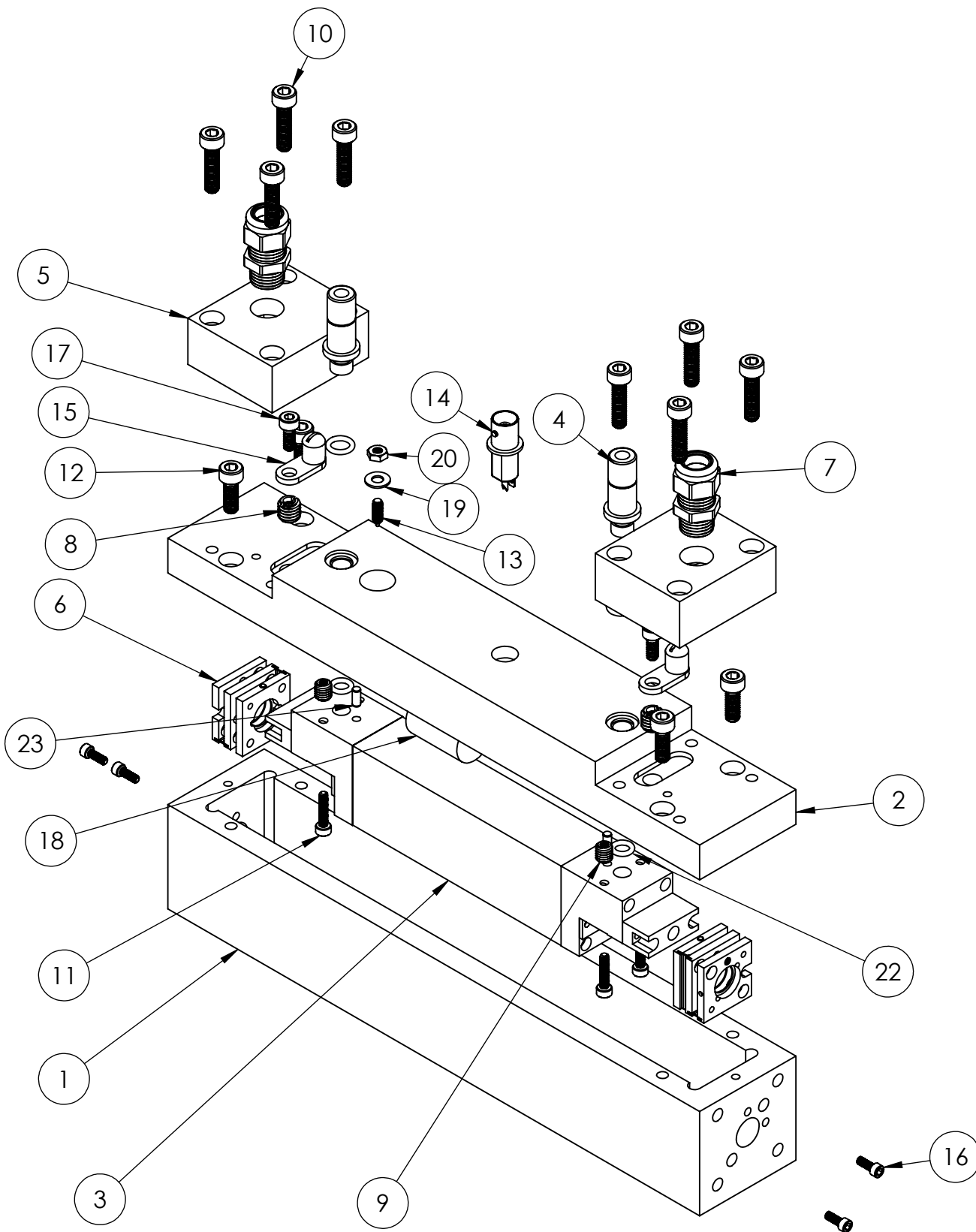
REV	DATE	DESCRIPTION



NOTICE: This document contains proprietary and confidential information of MegaWatt Lasers. The contents shall not be disclosed, reproduced, duplicated, disseminated, or used for purposes other than authorized in writing by MegaWatt Lasers.

SECTION A-A
SCALE 1 : 1.5

		<i>MegaWatt Lasers</i>			
		P. O. Box 24190 Hilton Head Island, SC 29925			
DRAWN BY JRE		R4X125C2 INTERFACE DRAWING			
CHECKED	TOLERANCES	SIZE C	CAGE CODE 1HVC0	DRAWING NO. 147	REV B
APPROVED	X. ±0.5 X.X ±0.1 X.XX ±0.05	SCALE NTS	DATE 1-FEBRUARY-2011		SHEET 2 OF 3



ITEM NO.	PART NUMBER	DESCRIPTION	Supplier	QTY.
1	B852-OR	R5 X 125C2 Delrin Resonator Housing	MWL	1
2	B656-A	R5X125C2 Base	MWL	1
3	526-A	4x125C2 Pump Chamber Interface		1
4	B696-OR	Hose Fitting 10mm X M8, SS316L	MWL	2
5	B783-OR	R5X Contact Cover	MWL	2
6	MFM-050	Newport 1/2" Mirror Mounts	Newport	2
7	69915K47	Cable Grip, 1/4" NPT, 0.08-0.20" cord dia.	McMaster	2
8	97084A200	Threaded Insert M4 X M8	McMaster	2
9	97084A190	Threaded Insert M3 X M6	McMaster	4
10	91292A128	M5 x .8, 20mm SHCS, 18-8 SS	McMaster	8
11	91292A027	M3 x 14mm SHCS, 18-8 SS	McMaster	4
12	91292A058	M5 x .8, 14mm SHCS	McMaster	4
13	84975A38	Spring Plunger 6-32 .5-1.5lb	McMaster	1
14	PE 4193	MHV Connector	Pasternack	1
15	6923K61	Copper Set Screw Lug	McMaster	2
16	92185A107	4-40x5/16" SHCS 18-8 SS	McMaster	4
17	91292A116	M4 x 10mm SHCS 18-8 SS	McMaster	2
18	C467-PR	36:1 Trigger Coil	MWL	1
19	98044A216	M4 Copper Washer	McMaster	1
20	95130A120	6-32 Brass Nut	McMaster	1
21	2-011-S70	2-011 Silicone O-ring	Parker	2
22	2-010-S70	2-010 Silicone O-ring	Parker	2
23	91585A051	M3 x 6mm Dowel Pin 18-8 SS	McMaster	2

NOTICE: This document contains proprietary and confidential information of MegaWatt Lasers. The contents shall not be disclosed, reproduced, duplicated, disseminated, or used for purposes other than authorized in writing by MegaWatt Lasers.

		<i>MegaWatt Lasers</i>		
		P. O. Box 24190 Hilton Head Island, SC 29925		
DRAWN BY JRE		R4X125C2 INTERFACE DRAWING		
CHECKED	TOLERANCES	SIZE C	CAGE CODE 1HVC0	DRAWING NO. 147
APPROVED	X. ±0.5 X.X ±0.1 X.XX ±0.05	SCALE NTS	DATE 1-FEBRUARY-2011	REV B
		SHEET 3 OF 3		