

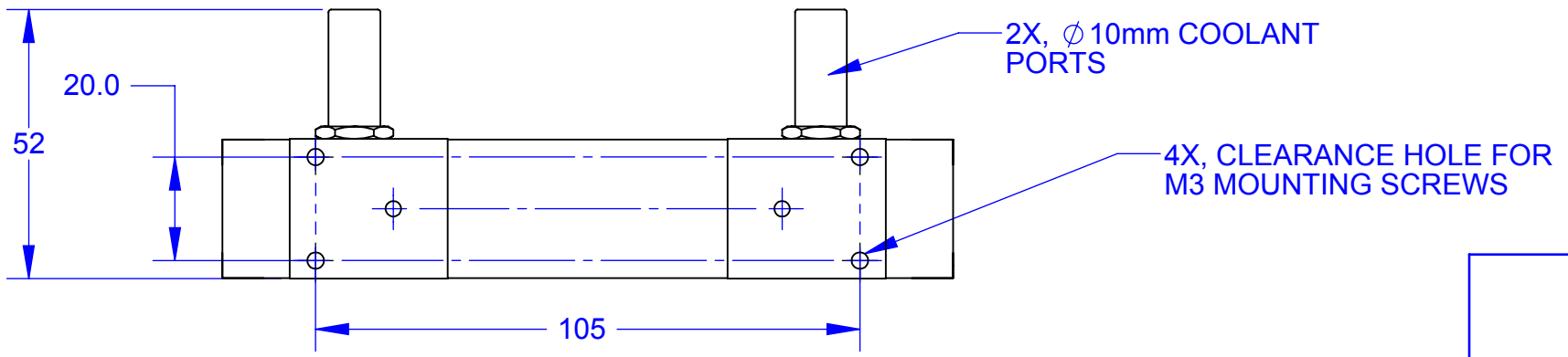
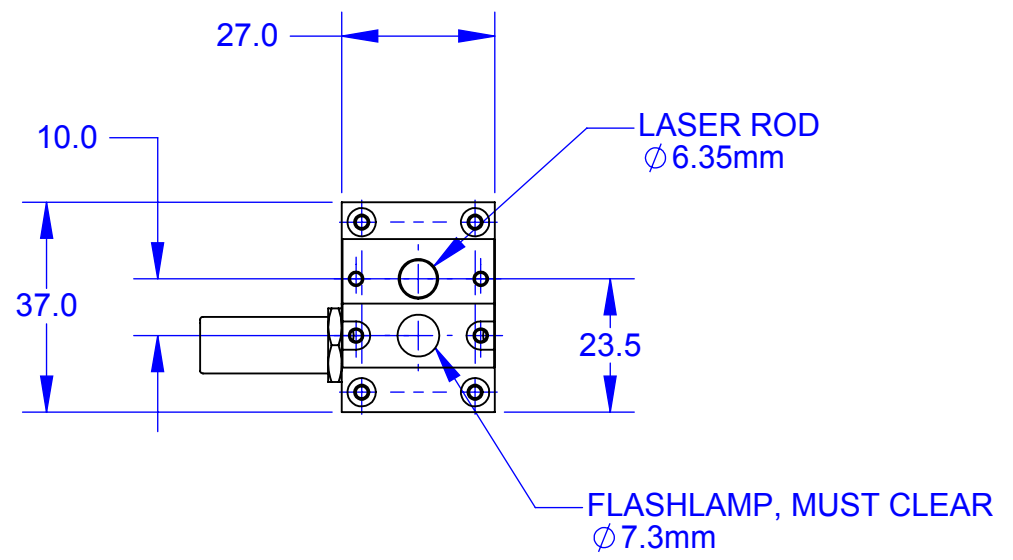
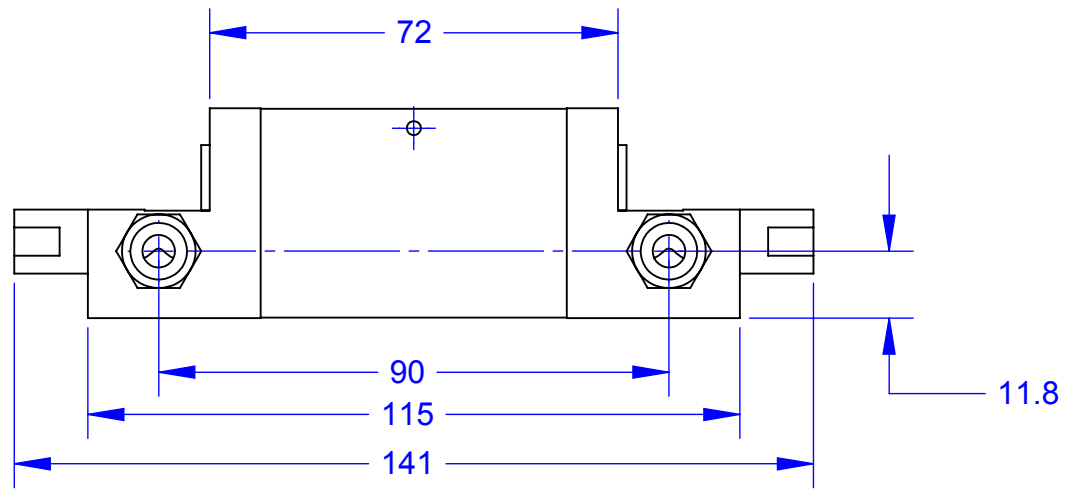
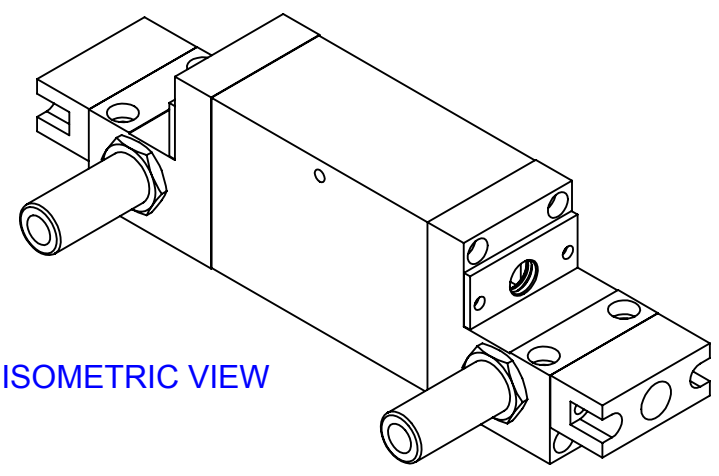
4

3

2

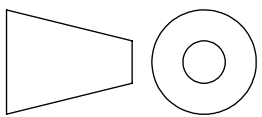
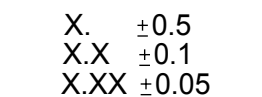
1

REV	DATE	DESCRIPTION



NOTICE: This document contains proprietary and confidential information of MegaWatt Lasers. The contents shall not be disclosed, reproduced, duplicated, disseminated, or used for purposes other than authorized in writing by MegaWatt Lasers.

NOTES/SPECIFICATIONS:
1. ALL DIMENSIONS IN mm.
2. DO NOT SCALE THIS DRAWING.

DRAWN BY DCA				<i>MegaWatt Lasers</i>		
				P. O. Box 24190 Hilton Head Island, SC 29925		
CHECKED MWA				6.35 X 75 PUMP CHAMBER INTERFACE DRAWING		
				SIZE B	CAGE CODE 1HVC0	DRAWING NO. 657
APPROVED SJH		TOLERANCES		SCALE 3:4	DATE 5-MARCH-09	SHEET 1 OF 1

4

3

2

1