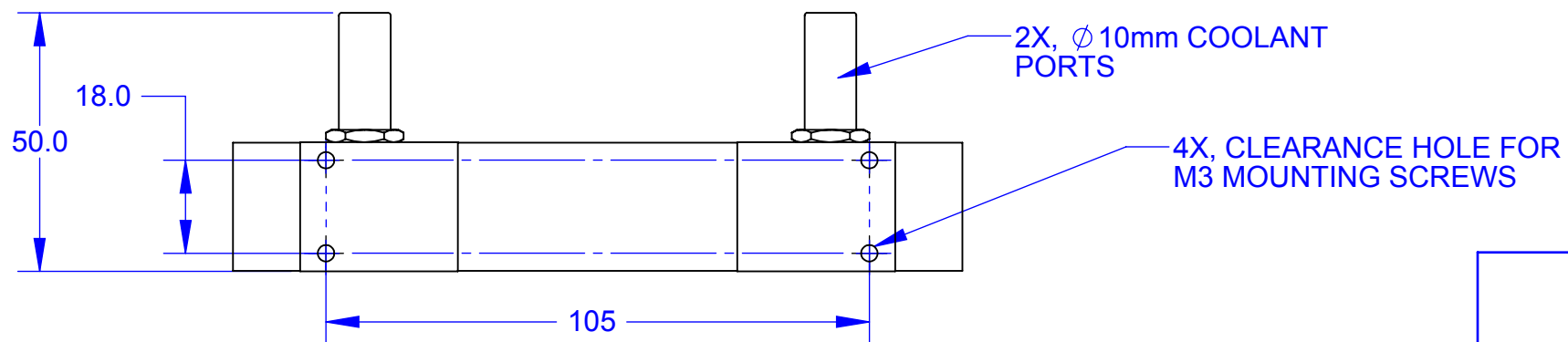
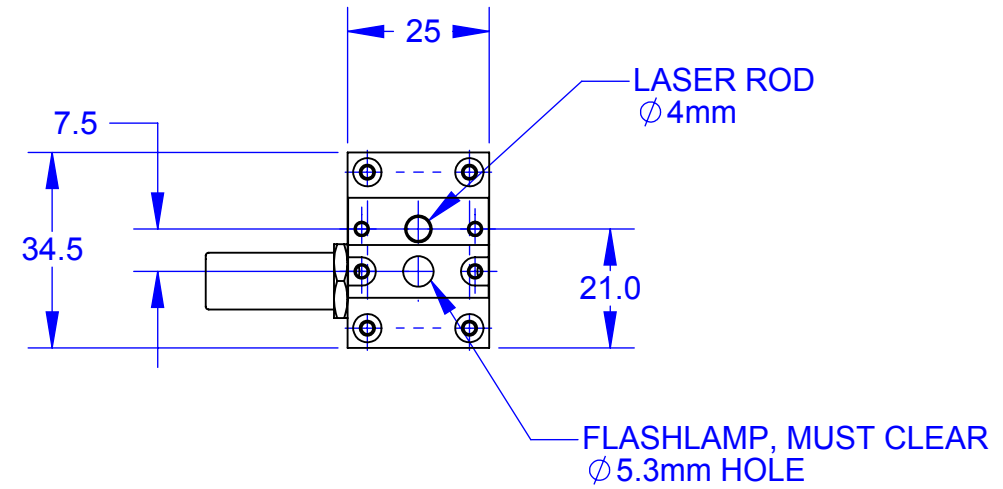
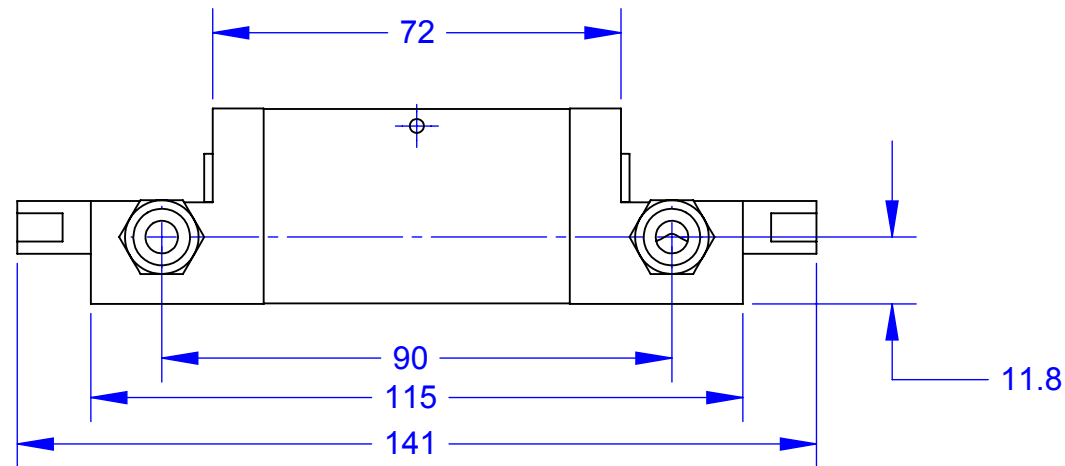


ISOMETRIC VIEW



NOTICE: This document contains proprietary and confidential information of MegaWatt Lasers. The contents shall not be disclosed, reproduced, duplicated, disseminated, or used for purposes other than authorized in writing by MegaWatt Lasers.

REV	DATE	DESCRIPTION
A	9/25/07	CORRECTED LASER ROD, FLASHLAMP CALLOUTS, ROTATED BODY

NOTES/SPECIFICATIONS:
 1. ALL DIMENSIONS IN mm.
 2. DO NOT SCALE THIS DRAWING.

DRAWN BY DCA		<i>MegaWatt Lasers</i>			
		P. O. Box 24190 Hilton Head Island, SC 29925			
CHECKED MWA		4 X 75 PUMP CHAMBER INTERFACE DRAWING			
		SIZE B	CAGE CODE 1HVC0	DRAWING NO. 493	REV A
APPROVED SJH	TOLERANCES X. ±0.5 X.X ±0.1 X.XX ±0.05	SCALE 3:4	DATE 25-SEPTEMBER-07	SHEET 1 OF 1	