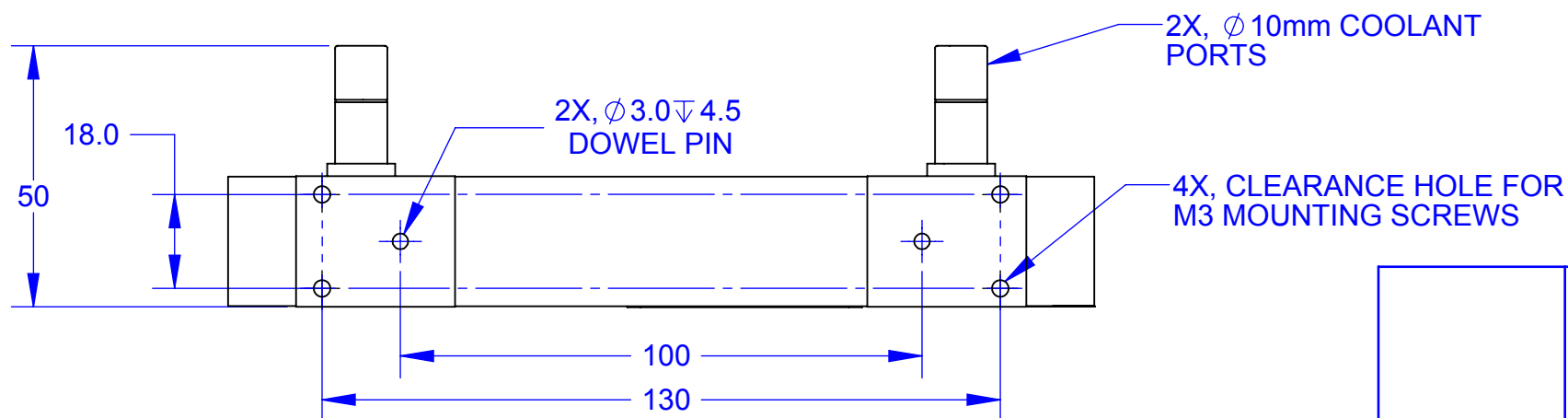
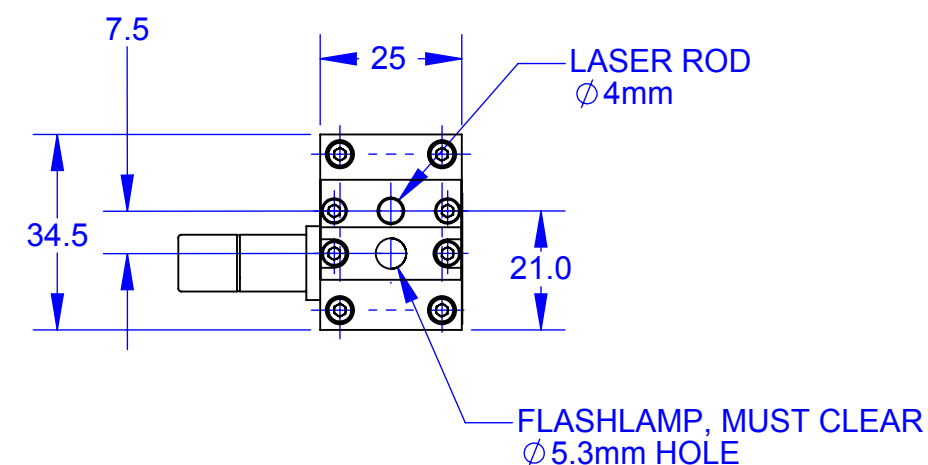
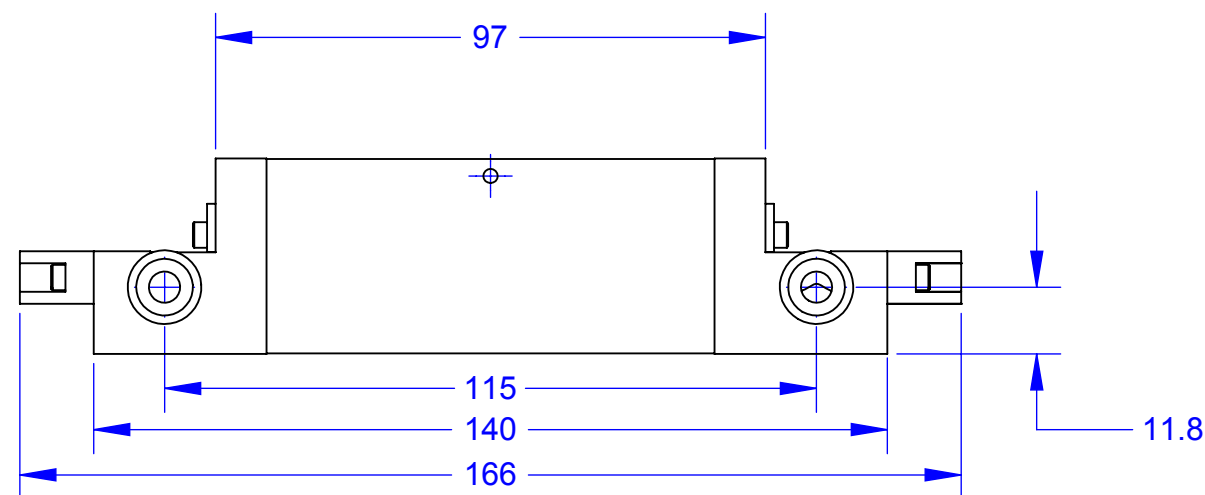


ISOMETRIC VIEW



REV	DATE	DESCRIPTION
A	9/25/07	CORRECTED LASER ROD, FLASHLAMP CALLOUTS, ROTATED BODY
B	7/17/12	UPDATED COMPONENTS
C	6/23/14	ADDED LASER ENGRAVING AND TEMPERATURE STRIP

NOTES/SPECIFICATIONS:  
 1. ALL DIMENSIONS IN mm.  
 2. DO NOT SCALE THIS DRAWING.

NOTICE: This document contains proprietary and confidential information of MegaWatt Lasers. The contents shall not be disclosed, reproduced, duplicated, disseminated, or used for purposes other than authorized in writing by MegaWatt Lasers.

DRAWN BY DCA		<i>MegaWatt Lasers</i>			
		P. O. Box 24190 Hilton Head Island, SC 29925			
CHECKED MWA		<b>4 X 100 PUMP CHAMBER INTERFACE DRAWING</b>			
		SIZE B	CAGE CODE 1HVC0	DRAWING NO. 439	REV C
APPROVED SJH		SCALE 3:4	DATE 25-SEPTEMBER-07		SHEET 1 OF 2

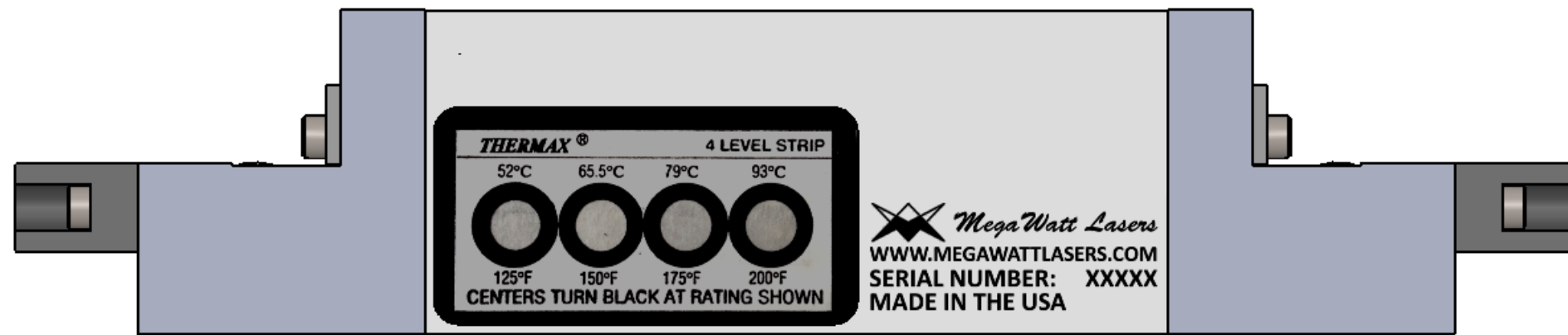
4

3

2

1

REV	DATE	DESCRIPTION



NOTICE: This document contains proprietary and confidential information of MegaWatt Lasers. The contents shall not be disclosed, reproduced, duplicated, disseminated, or used for purposes other than authorized in writing by MegaWatt Lasers.

DRAWN BY DCA		<i>MegaWatt Lasers</i>			
		P. O. Box 24190 Hilton Head Island, SC 29925			
CHECKED MWA		<b>4 X 100 PUMP CHAMBER INTERFACE DRAWING</b>			
		SIZE <b>B</b>	CAGE CODE <b>1HVC0</b>	DRAWING NO. 439	REV C
APPROVED SJH		TOLERANCES X. ±0.5 X.X ±0.1 X.XX ±0.05	SCALE 1:1	DATE 25-SEPTEMBER-07	SHEET 2 OF 2

4

3

2

1

A

A

B

B

C

C

D

D