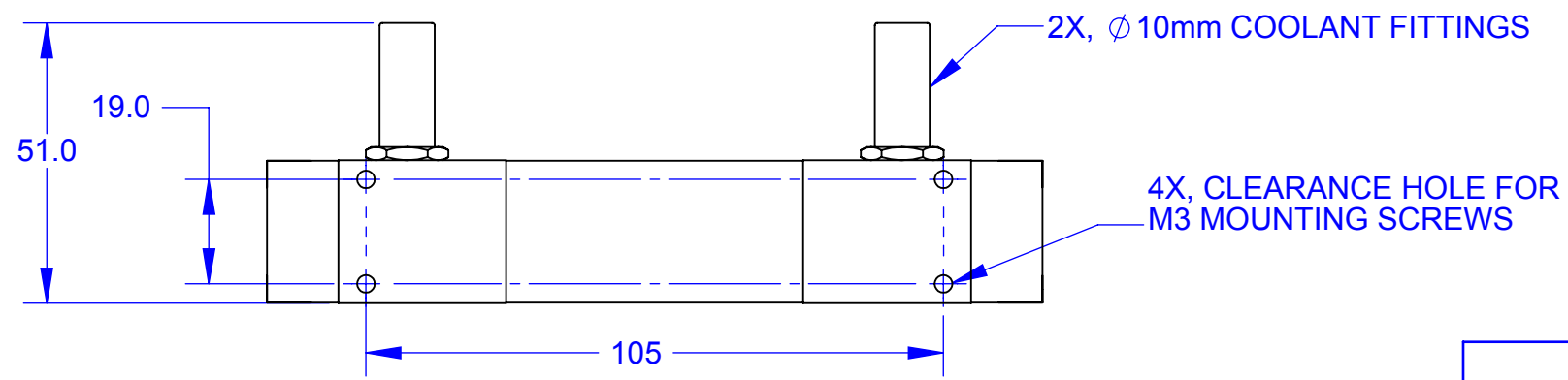
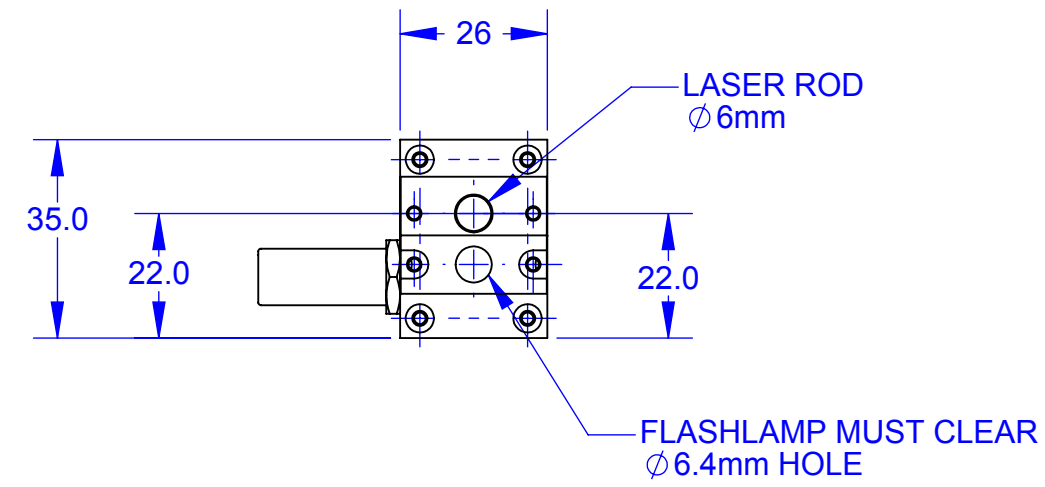
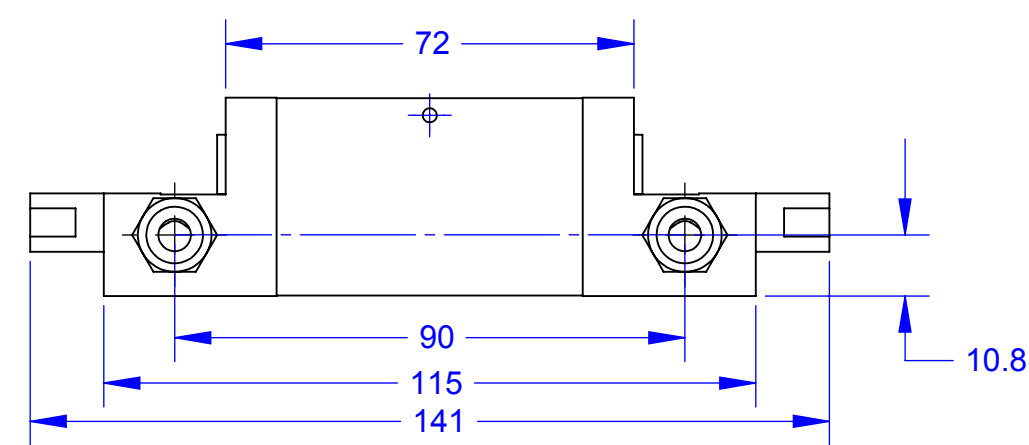


| REV | DATE | DESCRIPTION |
|-----|---------|------------------------|
| A | 7/12/04 | |
| B | 5/15/08 | CORRECT MOUNTING SCREW |
| | | |
| | | |



NOTICE: This document contains proprietary and confidential information of MegaWatt Lasers. The contents shall not be disclosed, reproduced, duplicated, disseminated, or used for purposes other than authorized in writing by MegaWatt Lasers.

NOTES/SPECIFICATIONS:
1. ALL DIMENSIONS IN mm.
2. DO NOT SCALE THIS DRAWING.

| | | | | | |
|-----------------|--|--|---------------------------|--------------------|-------------------|
| | | <i>MegaWatt Lasers</i> | | | |
| | | P. O. Box 24190 Hilton Head Island, SC 29925 | | | |
| | | 6 X 75 PUMP CHAMBER INTERFACE DRAWING | | | |
| DRAWN BY DCA | | SIZE B | CAGE CODE 1HVC0 | DRAWING NO. 298 | REV B |
| CHECKED MWA | | TOLERANCES | | SCALE 3:4 | DATE 15-MAY-08 |
| APPROVED SJH | | X. ±0.5 X.X ±0.1 X.XX ±0.05 | SHEET 1 OF 1 | | |