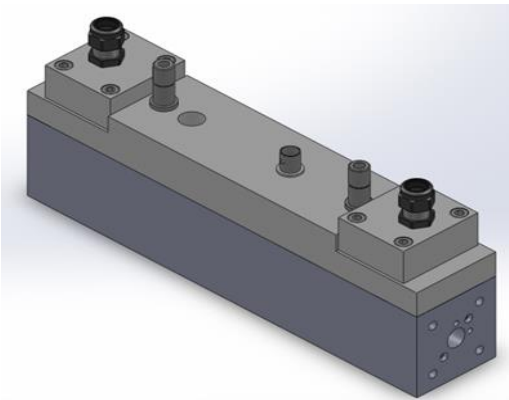
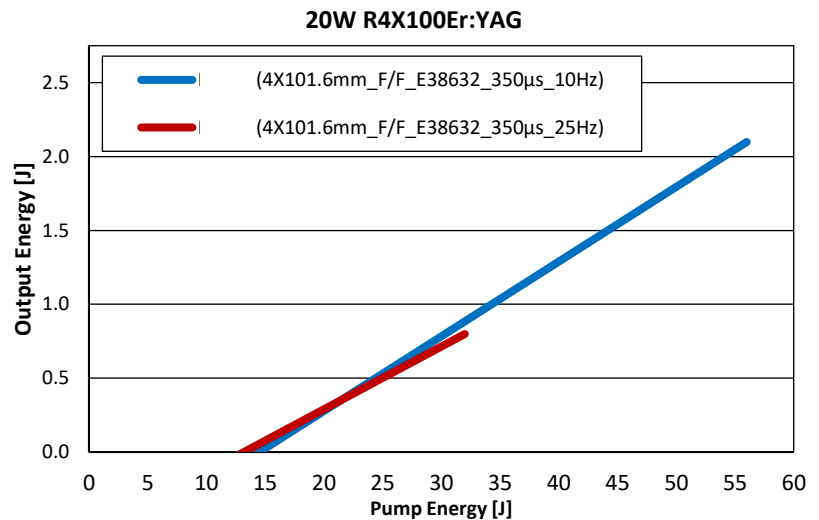


20 Watt 2.94 μ m SOLID-STATE RESONATOR



Erbium	
68	167.259
Er	
[Xe] 4f ¹² 6s ²	
175 pm	589.3 kJ·mol ⁻¹
3	9066 kg·m ⁻³
1.24	1529/2868 °C



Compact, Room-Temperature Water-Cooled, Flashlamp-Pumped Er:YAG Resonator Assembly

MegaWatt Lasers is pleased to offer off-the-shelf laser resonator assemblies. These resonators are intended for OEM's or R&D applications. Resonator assemblies include: pump chamber, flashlamp, laser rod, trigger electronics, and resonator optics tailored for the specific application. This resonator assembly is perfectly suited as a laboratory laser which can easily transform into an OEM design. Also available are resonator assemblies using other solid-state laser media, such as CTH:YAG, Er:Glass, Nd:YAG, Nd: Glass, Ruby, and Alexandrite. MegaWatt Lasers also offers custom resonators with higher average powers 40 W (2.09 μ m) and 200 W @ (1.06 μ m) as well as turnkey systems. Our Engineering department has considerable experience assisting OEM customers with custom as well as complete system designs.

Table of Standard Specifications			
Parameter	Value	Unit	Notes
Wavelength	2.94	μ m	
Resonator Output	20	W	10 – 25 Hz
Lamp Voltage	650	V	@ 20 W, 350 μ s Typical
Pulse Width	100 – 800	μ s	350 μ s Typical
Coolant Temp	25	°C	Typical deionized H ₂ O
Coolant Flow Rate	2	8 – 10	Liters/min
Repetition Rate	5 – 25	Hz	
Dimensions	26.5 X 4.8 X 9.5	cm	