

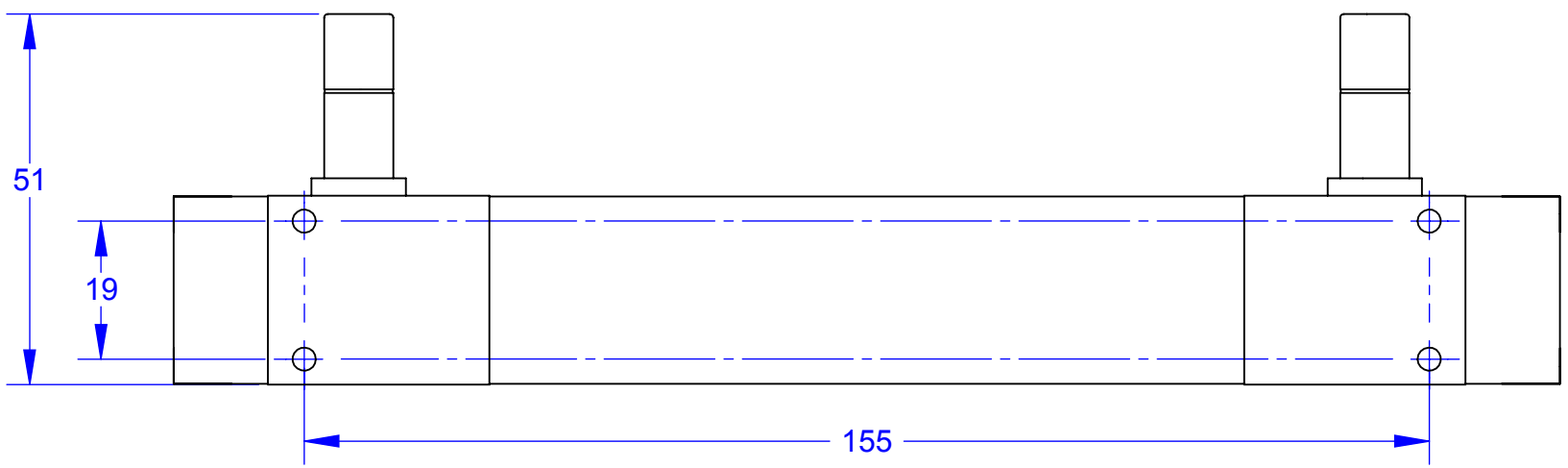
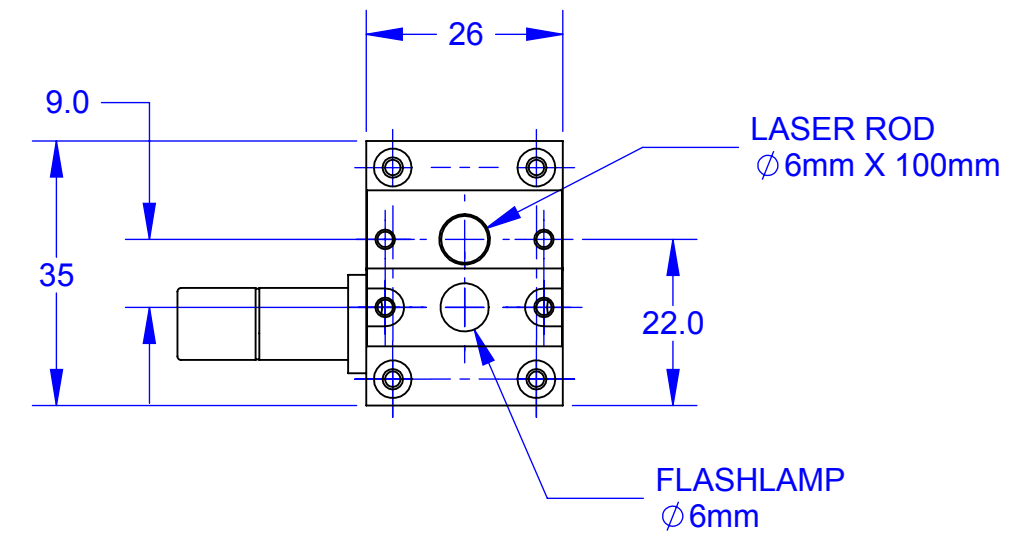
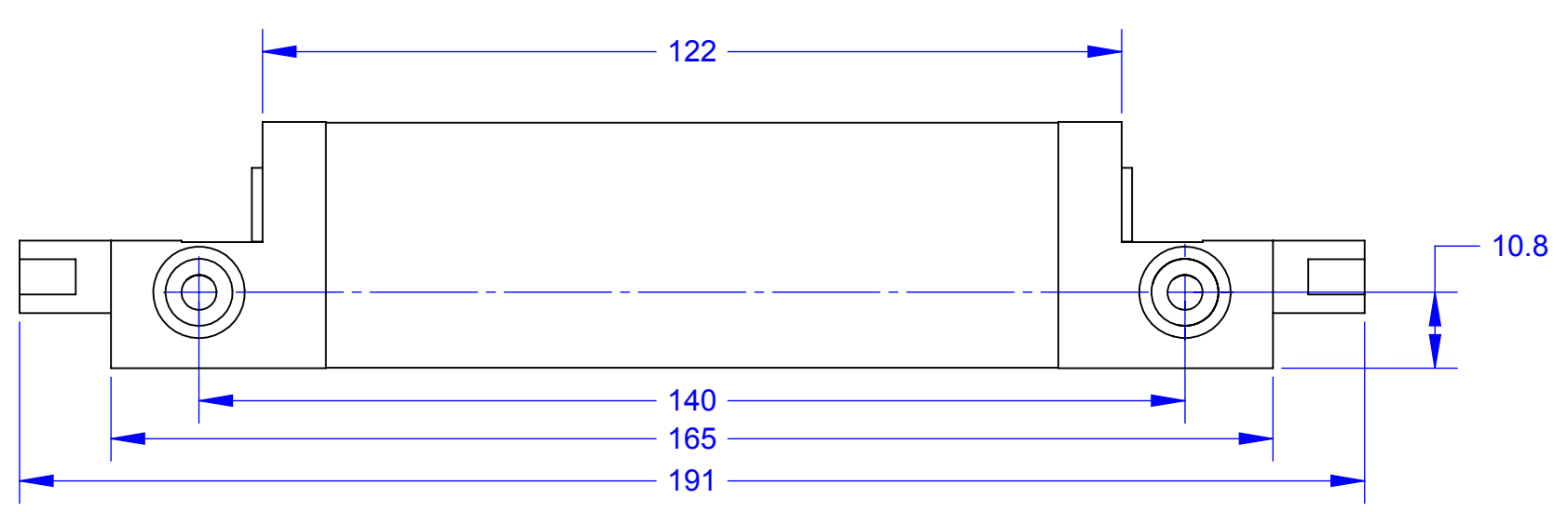
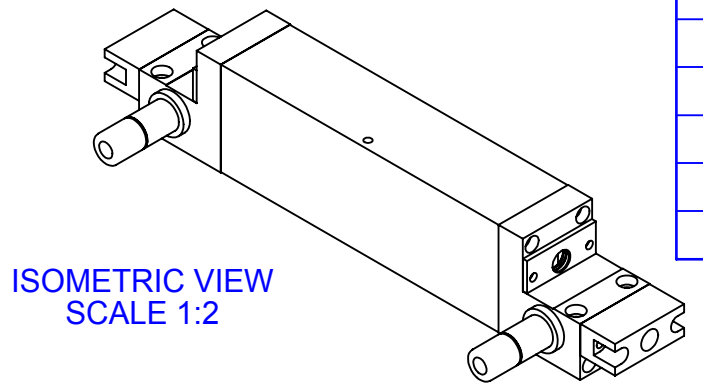
4

3

2

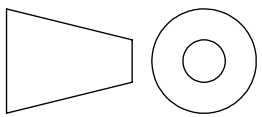
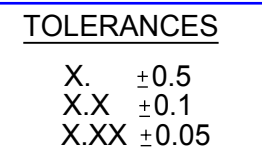
1

REV	DATE	DESCRIPTION



NOTICE: This document contains proprietary and confidential information of MegaWatt Lasers. The contents shall not be disclosed, reproduced, duplicated, disseminated, or used for purposes other than authorized in writing by MegaWatt Lasers.

NOTES/SPECIFICATIONS:  
1. ALL DIMENSIONS IN mm.  
2. DO NOT SCALE THIS DRAWING.

DRAWN BY DCA				<i>MegaWatt Lasers</i>		
				P. O. Box 24190 Hilton Head Island, SC 29925		
CHECKED MWA				<b>6 X 125 PUMP CHAMBER INTERFACE DRAWING</b>		
				SIZE B	CAGE CODE 1HVC0	DRAWING NO. 716
APPROVED JDH		TOLERANCES X. ±0.5 X.X ±0.1 X.XX ±0.05		SCALE 1:1	DATE 23-JUNE-09	SHEET 1 OF 1

4

3

2

1